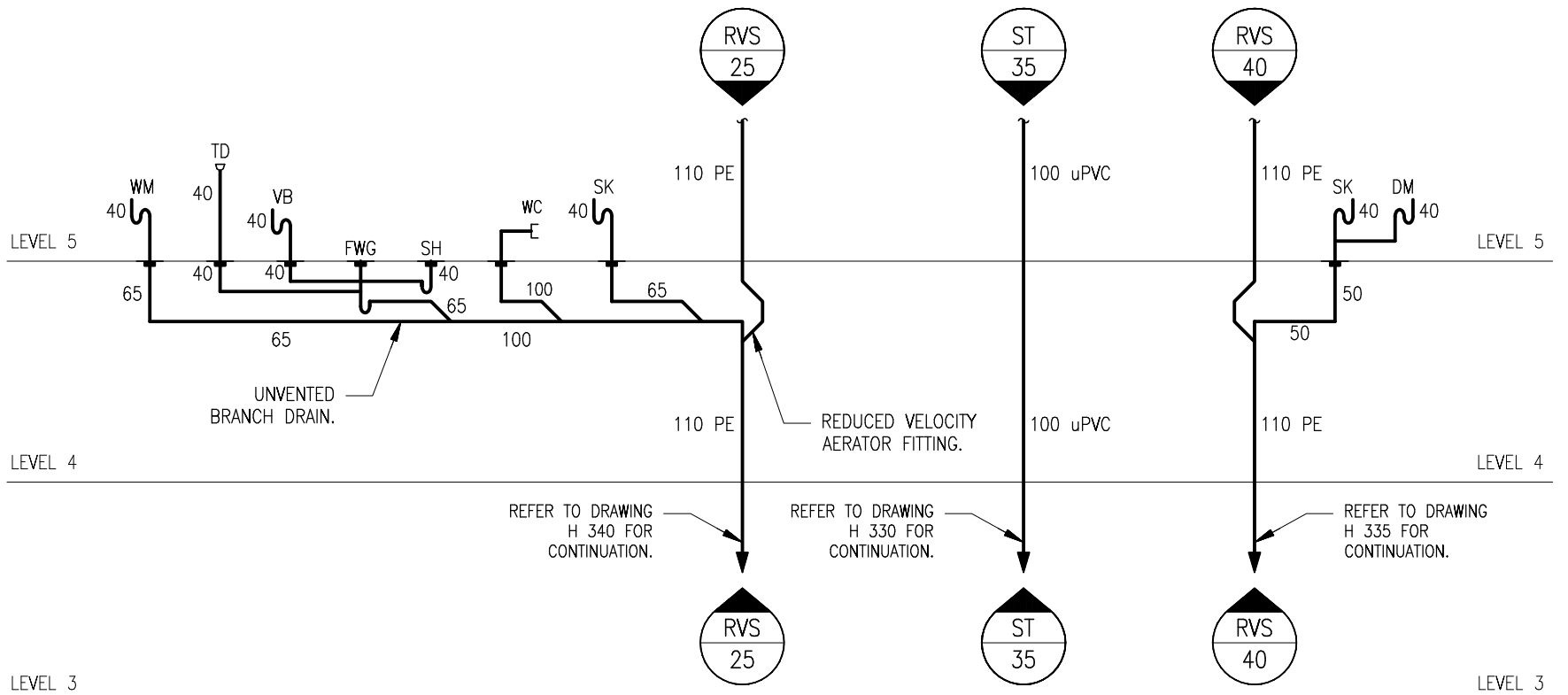
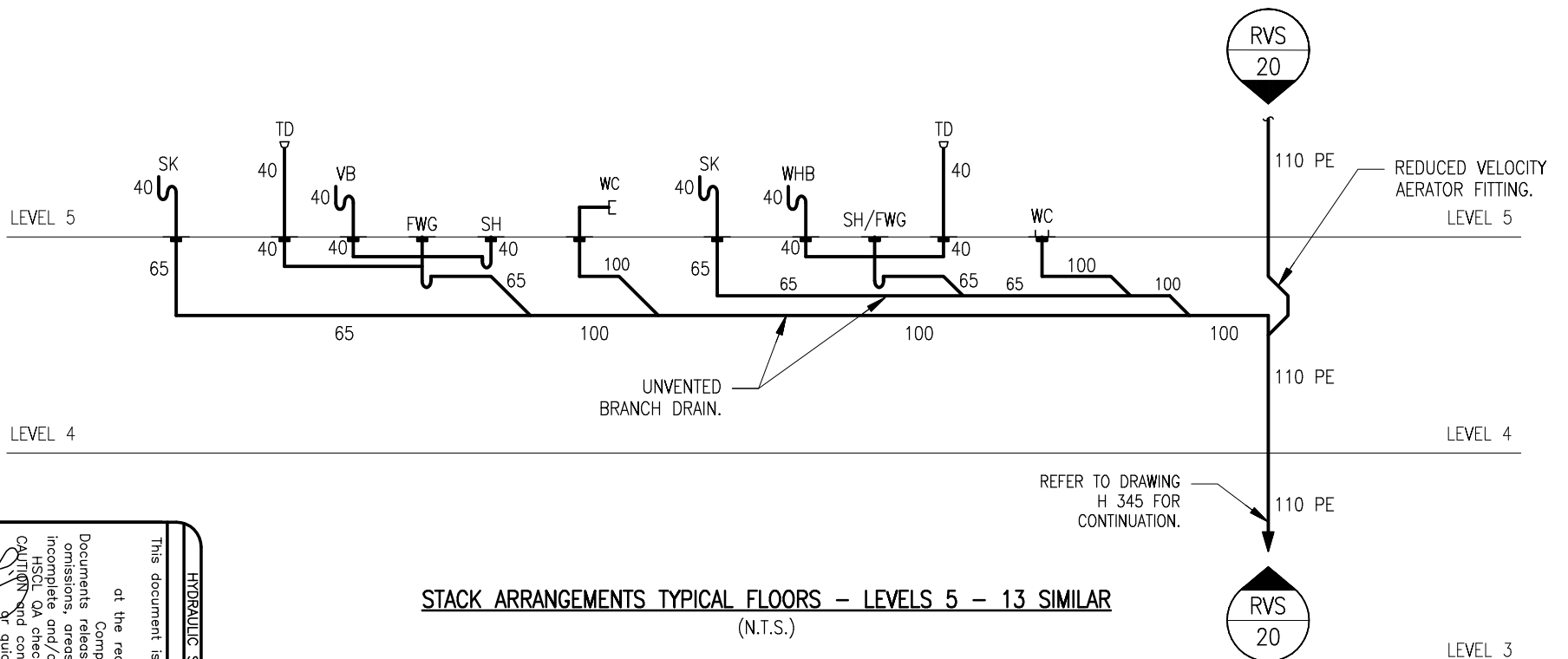


STACK ARRANGEMENTS TYPICAL FLOORS - LEVELS 5 - 25 SIMILAR (N.T.S.)

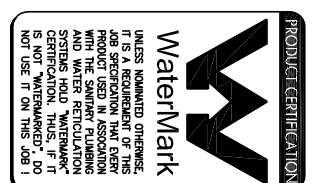


STACK ARRANGEMENTS TYPICAL FLOORS - LEVELS 5 - 25 SIMILAR (N.T.S.)



STACK ARRANGEMENTS TYPICAL FLOORS - LEVELS 5 - 13 SIMILAR (N.T.S.)

HYDRAULIC SERVICES CONSULTANTS LIMITED  
DOCUMENT STATUS  
This document is being released for the purpose of TENDER at the request of the CLIENT. Completion status is 100%. Documents released below 100% may contain errors, omissions, areas of design or draughting that are incomplete and/or may not have been subject to a HSCA QA check. We recommend you USE WITH CAUTION and contact this office for any clarification or guidance you feel necessary.  
Released for HSCA by: *[Signature]* Date of Release: 14.05.08



Scale With Care  
0 10 20 30 40 50

CONTRACTOR: Must verify all dimensions on the site prior to commencement of work.  
COMMENTS: Refer Drawing: The ownership of this drawing remains with Peter Downey unless transferred to the client upon payment of the appropriate fee. P. Downey does not accept or adopt without the written permission of P. Downey.

REV	DATE	REVISIONS
4	14.05.08	TENDER
3	22.04.08	TENDER
2	18.03.08	PRE-TENDER DESIGN
1	18.02.08	PRE-TENDER DESIGN

THE ASSOCIATION OF  
A.H.S.C.A.  
HYDRAULIC SERVICES CONSULTANTS AUSTRALIA  
(QUEENSLAND) INC.  
Based on Architectural plans received:  
22.04.08

Architect:  
**Clark Brown**  
scott@clarkbrown.com.au  
clarkbrownarchitects@clarkbrown.com.au  
ph: +61 9 373 5115 fax: +61 9 373 5116 cba@clarkbrown.com.au

HYDRAULIC  
SERVICES CONSULTANTS  
Level 1, 8 Malrose St. Newmarket  
Ph: 09 520 7738 Fax: 09 520 7739

Project:  
**WELLINGTON MEDINA**  
BOULCOTT STREET #86

Client:  
**TOGA GROUP**

Drawing Title:  
**HYDRAULIC SERVICES:  
SANITARY  
DIAGRAMMATIC LAYOUT  
SHEET 1 OF 9**

Drawn:	F. Yanez	Date:	13.02.08
Designed:	P. Downey	Scale:	N.T.S. @A3
Checked:		Job No.:	0894

Rev No.: 4  
Drawing No.: H 305